

Unicorn 15 / 17 / 19 / 20

Console with Modular KVM Switch

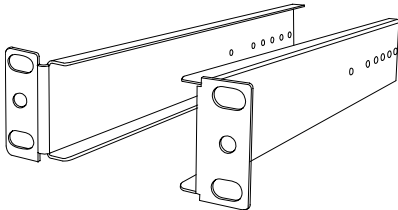
User's Manual

Rev 1.0

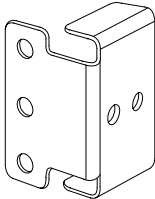
Packing List

The complete Unicorn 15 / 17 / 19 package consists of:

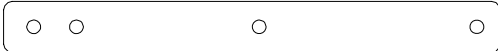
- One 1U 19" rack mount console
- Two rails with front and rear bracket
- Two brackets A. (Needed for rack depth 828 ~ 1000 mm)



- Two brackets B. (Needed for rack depth 504 ~ 614 mm)



- Two brackets C. (Needed for rack depth 504 ~ 614 mm)



Unicorn 15 / 17 bracket C



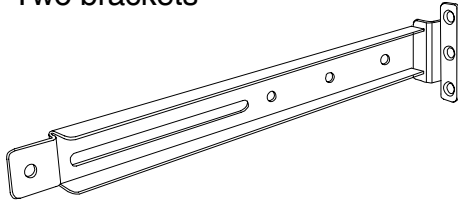
Unicorn 19 bracket C

- One 1.8 m KVM cable. (HDDDB-15 / VGA + PS/2 x 2)
- One AC to DC power adapter
- One user manual CD
- One quick installation guide
- Two keys
- Six flat screws. (for rail mount to console body)
- Eight screws. (for replace long bracket A)

The complete Unicorn 20 package consists of:

- One 1U 19" rack mount console
- Two rails with front and rear bracket
- One 1.8 m KVM cable. (HDDDB-15 / VGA + PS/2 x 2) cable
- One AC to DC power adapter
- One user manual CD

- One quick installation guide
- Two keys
- Six flat screws. (for rail mount to console body)
- Eight screws. (for combine bracket and rail)
- Two brackets



Check to make sure that the unit was not damaged in shipping. If you encounter a problem, contact your dealer.

Please read this manual thoroughly, and follow the installation and operation procedures carefully to prevent any damage to the product, and / or any of the devices that connect to it.

Safety Instructions

1. Please read these safety instructions carefully.
2. Please keep this User's Manual for later reference.
3. Please disconnect this equipment from AC outlet before cleaning. Don't use liquid or sprayed detergent for cleaning. Use moisture sheet or clothe for cleaning.
4. For pluggable equipment, the socked-outlet shall be installed near the equipment and shall be easily accessible.
5. Please keep this equipment from humidity.
6. Lay this equipment on a reliable surface when install. A drop or fall could cause injury.
7. Do not leave this equipment in an environment unconditioned, storage temperature above 60 °C, it may damage the equipment.
8. The opening on the enclosure is for air convection hence the equipment from overheating. **DO NOT COVER THE OPENING.**
9. Make sure the voltage of the power source connect the equipment to the power

outlet.

10. Please keep the power cord such a way that people can not step on it. Do not place anything over power cord. The power cord must rate for the voltage and current marked on the product's electrical ratings label. The voltage and current rating of the cord should be greater than the voltage and the current rating marked on the product.
11. All cautions and warning on the equipment should be noted.
12. If the equipment is not in use for long time, disconnect the equipment from mains to avoid being damaged by transient over-voltage.
13. Never pour any liquid into ventilation openings; this could cause fire or electrical shock.
14. Never open the equipment. For safety reason, qualified service personnel should only open the equipment.
15. If one of the following situations arises, get the equipment checked by service personnel.
 - The Power Cord or plug is damaged.
 - Liquid has penetrated into the equipment.
 - The equipment has been exposed to moisture.
 - The equipment has not worked well or you can not get it work according to User's Manual.
 - The equipment has dropped and damaged.
 - If the equipment has obvious signs or breakage.

Index of Contents

- Packing List I
- Safety Instructions II
- Index of Contents IV
- 1. General Information 1
 - 1.1 Feature 1
 - 1.2 Benefits 1
 - 1.3 Advantage 2
 - 1.4 Product Specification 3
 - 1.4.1 Unicorn 15 Specification 3
 - 1.4.2 Unicorn 17 Specification 5
 - 1.4.3 Unicorn 19 Specification 7
 - 1.4.4 Unicorn 20 Specification 9
- 2. Panel Controls and OSD Function 11
 - 2.1 Auto Tune 11
 - 2.2 Input Source 12
 - 2.3 Brightness 12
 - 2.4 Contrast 13
 - 2.5 Color 13
 - 2.6 Position 14
 - 2.7 Language 15
 - 2.8 Recall 15
 - 2.9 Exit 16
 - 2.10 Power Indicator 16
- 3. Installation 17
 - 3.1 Install Unicorn 15 / 17 / 19 into Cabinet 17
 - 3.1.1 Notes 17
 - 3.1.2 Hardware Kits Contents 17
 - 3.1.3 Install Console Step 18
 - 3.1.4 Replace longer and shorter bracket step 21
 - 3.1.5 Unload Step 23
 - 3.2 Install Unicorn 20 into Cabinet 25
 - 3.2.1 Notes 25
 - 3.2.2 Hardware Kits Contents 25
 - 3.2.3 Install Console Step 25
 - 3.3 Install Modular KVM Switch Step 26

- 3.3.1 Hardware Kits Contents 27
- 3.3.2 Install Modular KVM Switch Step 28
- 3.4 Installing the Video Card and Video Driver29
 - 3.4.1 Configuring the Display Settings 29
 - 3.4.2 Connecting the Console 30
- 3.5 Turning on the Console30
- 3.6 Testing the Console30

1. General Information

Unicorn series Single Rail consoles offer industrial level input solution to optimize your space utilization by controlling your systems in just 1U. With the unique modular design, you can easily integrate more than 14 models of KVM switches with different functions and expand the connections up to 8 levels of the KVM switches.

1.1 Feature

- Easy to install, single rail design.
- Unicorn 15, Unicorn 17, Unicorn 19 & Unicorn 20 for option
- Support Sun native resolution (Unicorn 17, Unicorn 19 & Unicorn 20)
- Support 17 various keyboard languages (increasing)
- Bright Active TFT display
- OSD function for LCD display and KVM switch
- Durable keyboard (touchpad or cherry keyboard with trackball)
- Panel protected by tempered glass
- Integration with more than 14 models of KVM switches
- DC power, DVI (optional)
- Touch panel and Sun keys (optional)
- With our fully modular IP & CAT5 modules, our customers can create 12 models of KVM Switch from 4 basic models.

1.2 Benefits

1. Cost effective solution : With our unique design and all the options, you can easily suffice the demand for your customer at reasonable cost.
2. Time to serve your customer : With the modular KVM, you can easily turn single port console into 8 / 16 / 32 ports console to serve your customer well.
3. Keep low inventory : From the 4 models of consoles and 6 models of KVM switches, IP Module and CAT5 Module, you can create total 60 models in Unicorn Series. It is the best solution for inventory control.
4. Easy to maintain : Once the defective comes from the KVM switch, you can just swap the KVM switch module without asking your customer to send the whole console back to you.
5. Save freight cost : Since you have to keep only 4 models of consoles and

generate new models by yourself, you can ship all the goods by sea instead of by air. In case, you run out of the KVM switch stock, it is much cheaper to ship the KVM switch modules by air.

1.3 Advantage

Easy to install:

With the unique separate rail design. One man can install the Unicorn console easily. In case you need to maintain the console, you can easily uninstall without effecting the server above or below.

Modular KVM switches:

The user can use Unicorn series console as single port console or through some simple action and few screws to be 8/16 even 32 ports KVM consoles.

Various keyboard language support:

to fit the demand of each individual countries.

Most LCD size available in the market:

We offer 15 / 17 / 19 / 20.1" LCD for Unicorn series console.

1.4 Product Specification

1.4.1 Unicorn 15 Specification

Model name	Unicorn 15
Number of ports	1
Dimension	470.1 x 447.5 x 44 mm / 18.5 x 17.6 x 1.7 inches
Package Dimension	606 x 551.5 x 230 mm / 23.9 x 21.7 x 9.0 inches
Net Weight	12 Kg / 26.46 lbs
Gross Weight	19.5 Kg / 43.0 lbs
Display Size	15 inches
Panel Type	Active Matrix TFT LCD
Resolution Capabilities	Maximum Resolution up to 1024 x 768 (XGA)
Pixel Pitch	Supports 0.297 mm x 0.297 mm
Viewing Angle (CR>10)	Right-Left view 130°(Typ) Up-Down View 100°(Typ)
Contrast Ratio	400 : 1
Brightness	White 250 cd/m ²
Back Light	Dual Lamps for Back Light
Supported Colors	16.7M Colors (8-bit with FRC)
Response Time	Rising Time 5 ms, Decay Time 11 ms
Operating System	Dos, Windows (3.1, 9x, 2000, NT4, ME, XP, 2003 Server) Linux, Novell 3.12-6, HP UX, SUN
Multi Platform	Support PS/2 and USB
System Cables	VGA + PS/2 x 2 or VGA + USB x 1 cable
Keyboard Mouse	106 key PS/2 keyboard with touch pad
Sync	45 ~ 80 KHz
Power Source	100 ~ 240 VAC input
Power Consumption	16W, 10.41W for Panel
Temperature	Operate 0 ~ 50°C / 32 ~ 122°F Storage -20 ~ 60°C / -4 ~ 140°F
Humidity	10% ~ 90% RH
Chassis Construction	Heavy duty steel materials
Keyboard Language	USA, UK, German, French, Spanish, Italian, Portuguese, Dutch, Swiss, Belgium, Swedish, Norwegian, Danish, Japan, Taiwan, Russian, Hebrew
Certification	CE / FCC, UL / CUL / C-Tick, GOST

Table 1-1. Unicorn 15 Specification

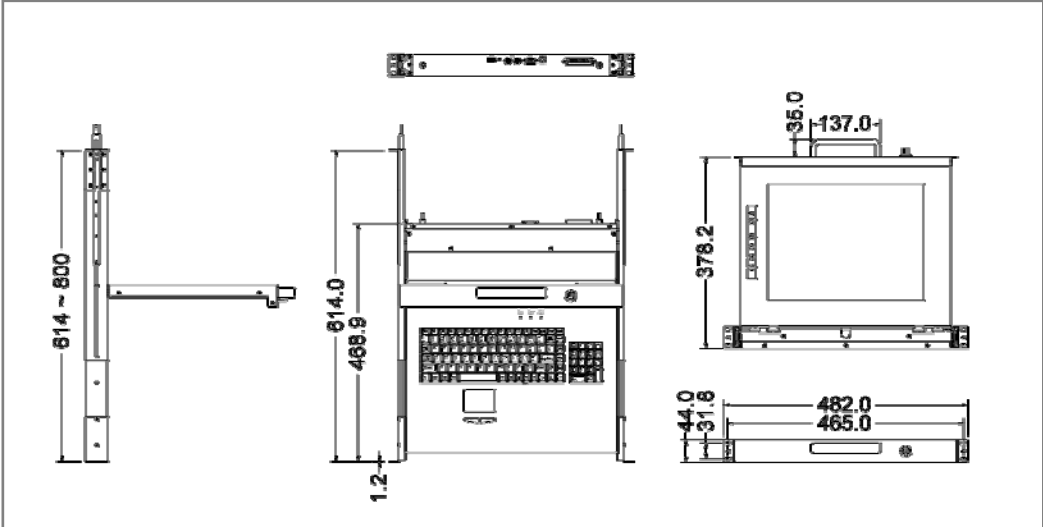


Figure 1-1. Unicorn 15 Dimension

1.4.2 Unicorn 17 Specification

Model name	Unicorn 17
Number of ports	1
Dimension	470.1 x 447.5 x 44 mm / 18.5 x 17.6 x 1.7 inches
Package Dimension	606 x 551.5 x 230 mm / 23.9 x 21.7 x 9.0 inches
Net Weight	13 Kg / 28.7 lbs
Gross Weight	20.5 Kg / 45.2 lbs
Display Size	17 inches
Panel Type	Active Matrix TFT LCD
Resolution Capabilities	Maximum Resolution up to 1280 x 1024 (SXGA)
Pixel Pitch	Supports 0.264 mm x 0.264 mm
Viewing Angle (CR>10)	Right-Left view 60° ~ 70°(Typ) Up-Down View 45° ~ 60°(Typ)
Contrast Ratio	450 : 1
Brightness	White 250 cd/m2
Back Light	Four Lamps for Back Light
Supported Colors	16.7M Colors (8-bit with FRC)
Response Time	Rising Time 2 ms, Decay Time 14 ms
Operating System	Dos, Windows (3.1, 9x, 2000, NT4, ME, XP, 2003 Server) Linux, Novell 3.12-6, HP UX, SUN
Multi Platform	Support PS/2 and USB
System Cables	VGA + PS/2 x 2 or VGA + USB x 1 cable
Keyboard Mouse	106 key PS/2 keyboard with touch pad
Sync	45 ~ 80 KHz
Power Source	100 ~ 240 VAC input
Power Consumption	25W, 19.05W for Panel
Temperature	Operate 0 ~ 50°C / 32 ~ 122°F Storage -20 ~ 60°C / -4 ~ 140°F
Humidity	10% ~ 90% RH
Chassis Construction	Heavy duty steel materials
Keyboard Language	USA, UK, German, French, Spanish, Italian, Portuguese, Dutch, Swiss, Belgium, Swedish, Norwegian, Danish, Japan, Taiwan, Russian, Hebrew
Certification	CE / FCC, UL / CUL / C-Tick, GOST

Table 1-2. Unicorn 17 Specification

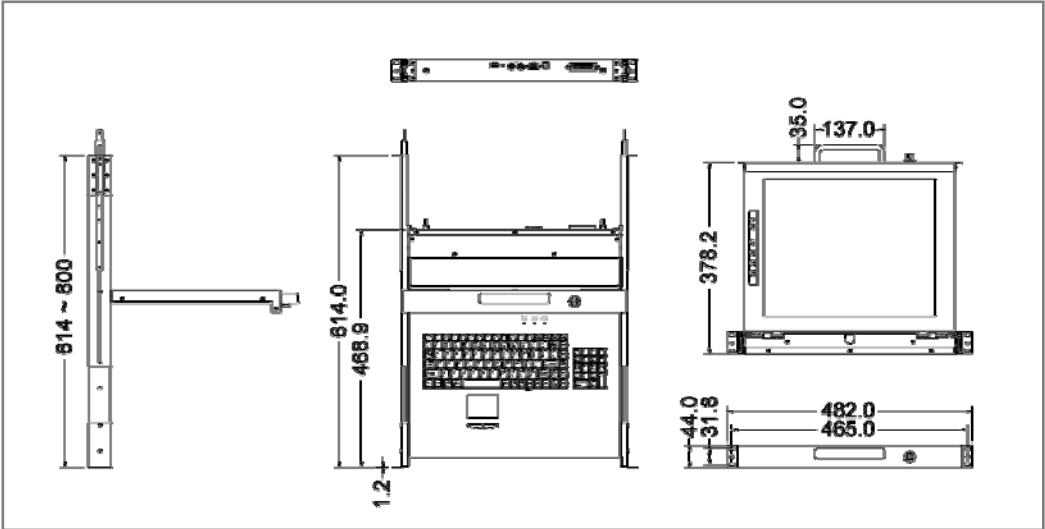


Figure 1-2. Unicorn 17 Dimension

1.4.3 Unicorn 19 Specification

Model name	Unicorn 19
Number of ports	1
Dimension	520.1 x 447.5 x 44 mm / 24.5 x 17.6 x 1.7 inches
Package Dimension	606 x 551.5 x 230 mm / 23.9 x 21.7 x 9.0 inches
Net Weight	14 Kg / 30.9 lbs
Gross Weight	21.5 Kg / 47.4 lbs
Display Size	19 inches
Panel Type	Active Matrix TFT LCD
Resolution Capabilities	Maximum Resolution up to 1280 x 1024 (SXGA)
Pixel Pitch	Supports 0.098 mm x 0.294 mm
Viewing Angle (CR>10)	Right-Left view 140°(Typ) Up-Down View 140°(Typ)
Contrast Ratio	500 : 1
Brightness	White 250 cd/m ²
Back Light	Four Lamps for Back Light
Supported Colors	16.7M Colors (8-bit with FRC)
Response Time	Rising Time 2 ms, Decay Time 10 ms
Operating System	Dos, Windows (3.1, 9x, 2000, NT4, ME, XP, 2003 Server) Linux, Novell 3.12-6, HP UX, SUN
Multi Platform	Support PS/2 and USB
System Cables	VGA + PS/2 x 2 or VGA + USB x 1 cable
Keyboard Mouse	106 key PS/2 keyboard with touch pad
Sync	45 ~ 80 KHz
Power Source	100 ~ 240 VAC input
Power Consumption	25W, 21.05W for Panel
Temperature	Operate 0 ~ 50°C / 32 ~ 122°F Storage -20 ~ 60°C / -4 ~ 140°F
Humidity	10% ~ 90% RH
Chassis Construction	Heavy duty steel materials
Keyboard Language	USA, UK, German, French, Spanish, Italian, Portuguese, Dutch, Swiss, Belgium, Swedish, Norwegian, Danish, Japan, Taiwan, Russian, Hebrew
Certification	CE / FCC, UL / CUL / C-Tick, GOST

Table 1-3. Unicorn 19 Specification

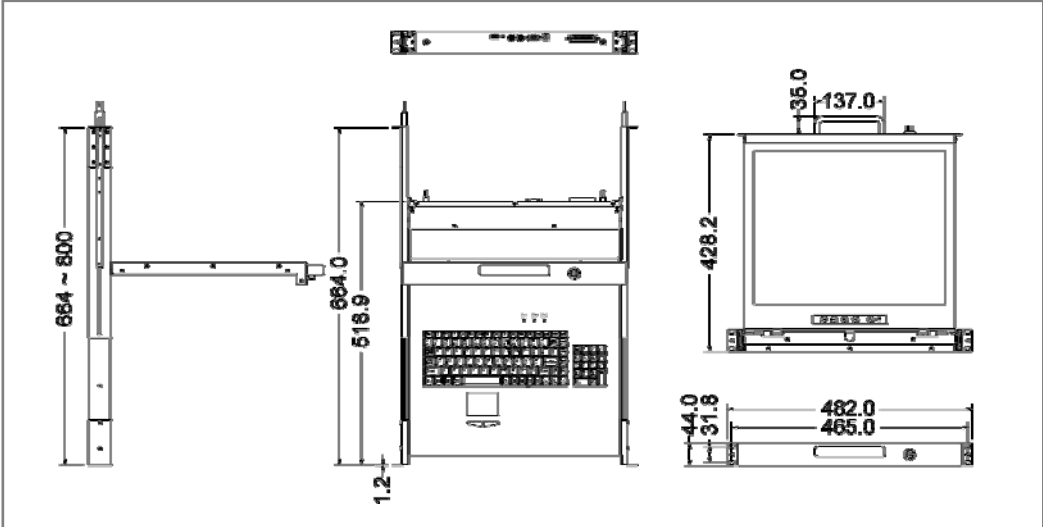


Figure 1-3. Unicorn 19 Dimension

1.4.4 Unicorn 20 Specification

Model name	Unicorn 20
Number of ports	1
Dimension	662 x 443.7 x 43.5 mm / 26.0 x 17.5 x 1.7 inches
Package Dimension	843 x 571 x 226 mm / 33.2 x 22.5 x 8.9 inches
Net Weight	15 Kg / 33.1 lbs
Gross Weight	22.5 Kg / 49.6 lbs
Display Size	20.1 inches
Panel Type	Active Matrix TFT LCD
Resolution Capabilities	Maximum Resolution up to 1600 x 1200 (UXGA)
Pixel Pitch	Supports 0.255 mm x 0.255 mm
Viewing Angle (CR>10)	Right-Left view 85°(Typ) Up-Down View 85°(Typ)
Contrast Ratio	1000 : 1
Brightness	White 300 cd/m ²
Back Light	Six Lamps for Back Light
Supported Colors	16.7M Colors (8-bit with FRC)
Response Time	Rising Time 15 ms, Decay Time 7 ms
Operating System	Dos, Windows (3.1, 9x, 2000, NT4, ME, XP, 2003 Server) Linux, Novell 3.12-6, HP UX, SUN
Multi Platform	Support PS/2 and USB
System Cables	VGA + PS/2 x 2 or VGA + USB x 1 cable
Keyboard Mouse	106 key PS/2 keyboard with touch pad
Sync	45 ~ 80 KHz
Power Source	100 ~ 240 VAC input
Power Consumption	50W, 45W for Panel
Temperature	Operate 0 ~ 50°C / 32 ~ 122°F Storage -20 ~ 60°C / -4 ~ 140°F
Humidity	10% ~ 90% RH
Chassis Construction	Heavy duty steel materials
Keyboard Language	USA, UK, German, French, Spanish, Italian, Portuguese, Dutch, Swiss, Belgium, Swedish, Norwegian, Danish, Japan, Taiwan, Russian, Hebrew
Certification	CE / FCC, UL / CUL / C-Tick, GOST

Table 1-4. Unicorn 20 Specification

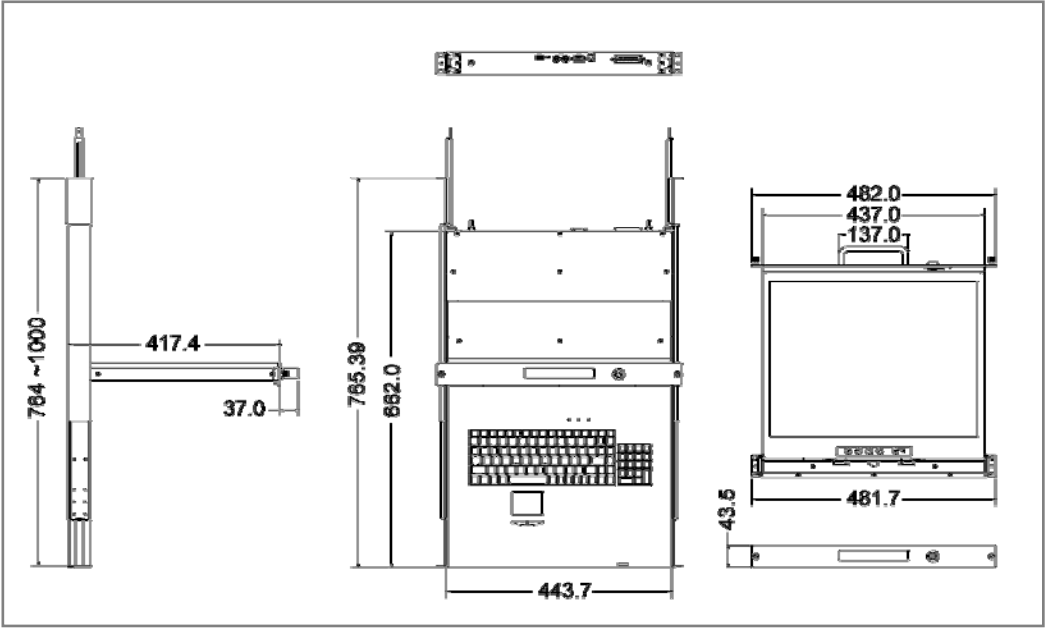


Figure 1-4. Unicorn 20 Dimension

2. Panel Controls and OSD Function




Controls	Description
	Soft power on/off button. Adjacent LED is lit when on.
Auto	Auto-synchronize and scale down display to any valid factory preset timings.
	Press to scroll the function you want to adjust.
	Press to scroll the function you want to adjust.
Menu	To access the main menu. This button also acts as the "Enter" button.

Table 2-1. Panel Controls

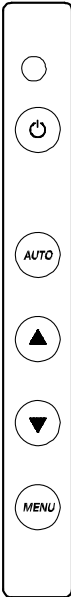


Figure 2-1. Unicorn 15 / 17 OSD Control Bar

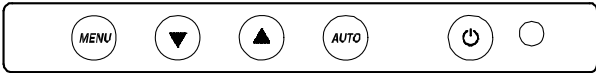


Figure 2-2. Unicorn 19 / 20 OSD Control Bar

2.1 Auto Tune

Press the "auto tune" button. The panel will adjust the display size automatically and also tune the panel to its best condition.

2.2 Input Source

1. Press the “menu” button.
2. Use the “Down” and “Up” button to scroll.

Auto tune.

Input Source

Brightness

Contrast

Color

Position

Language

Recall

Exit

3. Press the “menu” button to enter, and you will see:

VGA / DVI

4. Use the “Down” and “Up” button to select the input source of signal.
5. Press the “menu” button to enter

2.3 Brightness

1. Press the “menu” button.
2. Use the “Down” and “Up” button to scroll.

Auto tune.

Input Source

Brightness

Contrast

Color

Position

Language

Recall

Exit

3. Press the “menu” button to enter.
4. Use the “Down” and “Up” button to adjust the brightness of the display.
5. Press the “menu” button to enter.

2.4 Contrast

1. Press the “menu” button.
2. Use the “Down” and “Up” button to scroll.

Auto tune.
Input Source
Brightness
Contrast
Color
Position
Language
Recall
Exit

1. Press the “menu” button to enter.
2. Use the “Down” and “Up” button to adjust the contrast of the display.
3. Press the “menu” button to enter.

2.5 Color

1. Press the “menu” button.
2. Use the “Down” and “Up” button to scroll.

Auto tune.
Input Source
Brightness
Contrast
Color
Position
Language
Recall
Exit

3. Press the “menu” button to enter. And you will see:

Icon	Description
9300°K	To set CIE coordinates at 9300°K color
7500°K	To set CIE coordinates at 7500°K color
6500°K	To set CIE coordinates at 6500°K color
User	To set user defined CIE
Auto color	To auto adjust color
Return	To exit and return to the previous page

Table 2-2. Icon Description

- 4. Use the “Down” and “Up” button to adjust the color of the display.
- 5. Press “menu” to enter.

2.6 Position

- 1. Press the “menu” button.
- 2. Use the “Down” and “Up” button to scroll.
 - Auto tune.
 - Input Source
 - Brightness
 - Contrast
 - Color
 - Position**
 - Language
 - Recall
 - Exit

3. Press the “menu” button to enter. And you will see:

Icon	Description
Image Pos	To adjust the position of the image.
OSD Pos	To adjust the position of the OSD.
Return	To exit and return to the previous page

Table 2-3. Icon Description

4. Use the “Down” and “Up” button to scroll.
5. Press the “menu” button to enter.

2.7 Language

1. Press the “menu” button.
2. Use the “Down” and “Up” button to scroll.
 - Auto tune.
 - Input Source
 - Brightness
 - Contrast
 - Color
 - Position
 - Language**
 - Recall
 - Exit
3. Press the “menu” button to enter. And you will see:
 - English**
 - German
 - French
 - Italian
 - Spanish
4. Use the “Down” and “Up” button to scroll.
5. Press the “menu” button to enter.

2.8 Recall

1. Press the “menu” button.
2. Use the “Down” and “Up” button to scroll.
 - Auto tune.
 - Input Source
 - Brightness
 - Contrast
 - Color
 - Position
 - Language
 - Recall**

Exit

3. Press the “menu” button to enter, and you will see:

Yes/ No

4. Select “Yes” button then ‘Menu” button to recall the factory setting.
Select “No “ to return to the previous page.

2.9 Exit

Press the “exit” button to quit OSD menu.

2.10 Power Indicator

- ◆ GREEN ON
- ◆ RED STANDBY
- ◆ RED SUSPEND
- ◆ RED OFF



OSD – On Screen Display

3. Installation

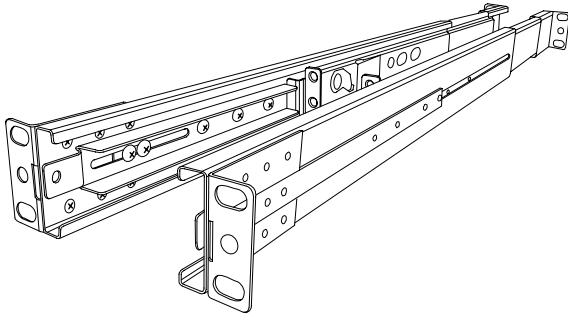
3.1 Install Unicorn 15 / 17 / 19 into Cabinet

3.1.1 Notes

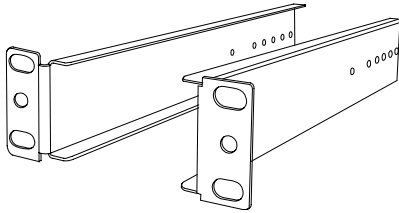
1. Please check all peripherals according the list before installation. To make sure that the whole unit was not damaged and lost during shipping process. If you encounter any problem, please contact your dealer.
2. Before installation, make sure all peripherals and computer have been turned off.
3. The standard brackets are for 614 ~ 1000 mm (distance means front bracket to rear bracket) cabinet, contact your dealer if you need more longer rear brackets.
4. If your cabinet depth is 828 ~ 1000 mm, please refer "Replace bracket A step". And If your cabinet depth is 504 ~ 614 mm, please refer "Replace bracket B and bracket C step".
5. Reliable earthing of rack-mounted equipment should be maintained. Particular attention should be given to supply connections other than direct connections to the branch circuit.

3.1.2 Hardware Kits Contents

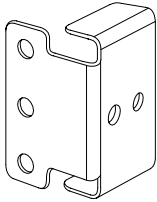
1. Rail with front and rear bracket x 2 (Please identify the brackets. Right and left sides are different. For cabinet depth 614 ~ 828 mm)



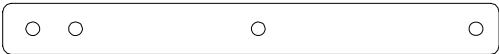
2. Bracket A x 2 (For cabinet depth 828~1000 mm. Please refer page 21)



3. Bracket B x 2 (For cabinet depth 504 ~614 mm. Please refer page 22)



4. Bracket C x 2 (For cabinet depth 504 ~614 mm. Please refer page 22)



Unicorn 15 / 17 bracket C



Unicorn 19 bracket C

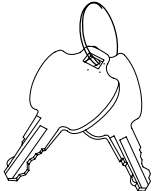
5. Screw (length = 6 mm) x 6



6. Screw x 8

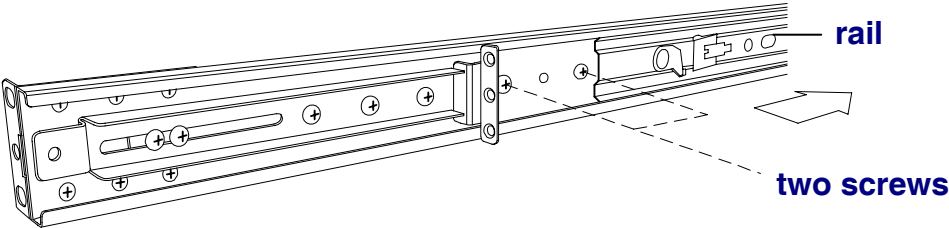


7. Key x 2

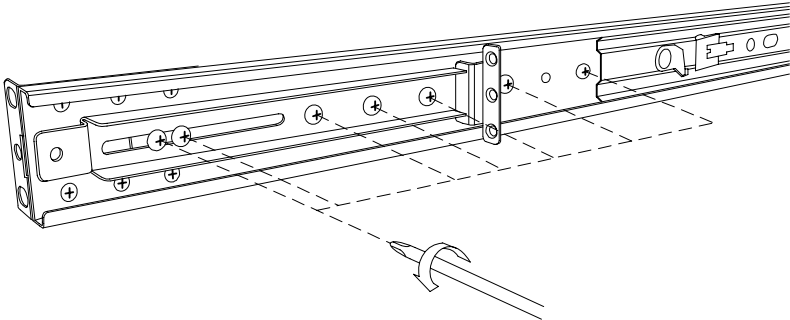


3.1.3 Install Console Step

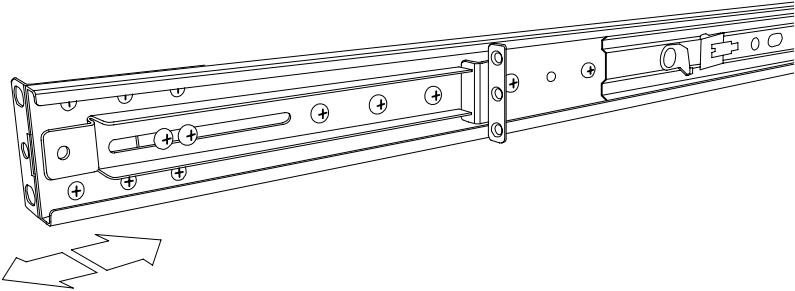
1. Adjust rail until two screws appear.



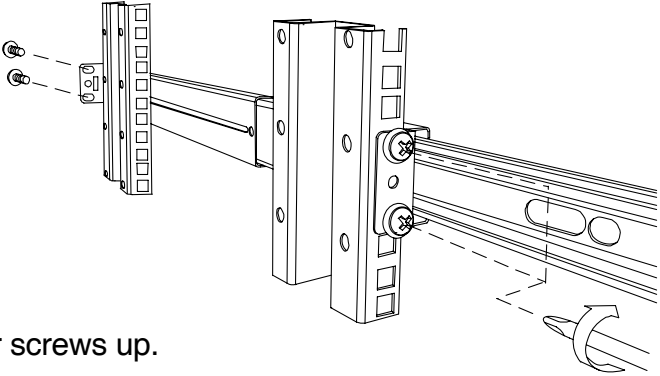
2. Loose (Not remove) seven rear screws.



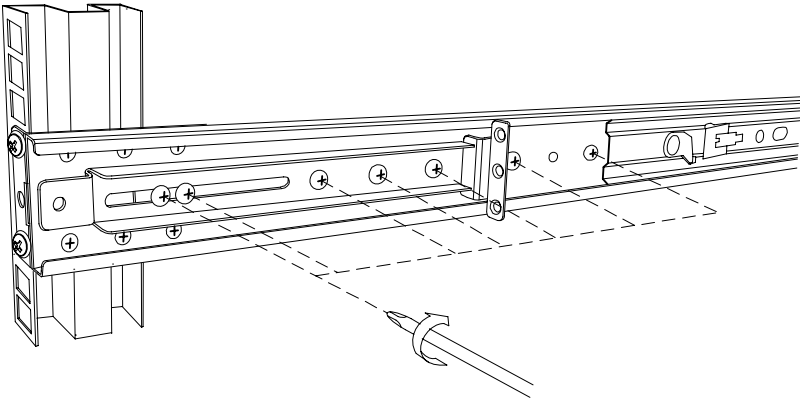
3. Adjust rail to fit your cabinet



4. Install front and rear bracket on cabinet.

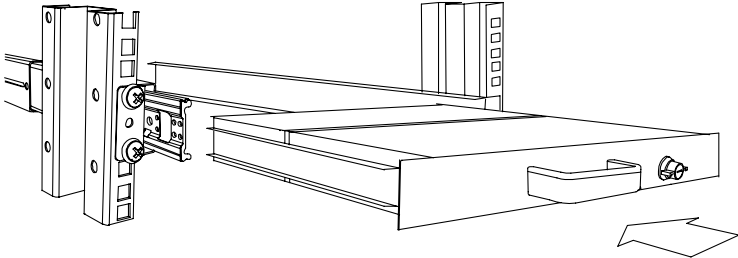


5. Tight seven rear screws up.

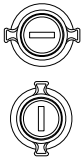


6. Repeat step 1~5 for the other side.

7. Push console into rails. (Be careful rear box loose when take out console from carton.)

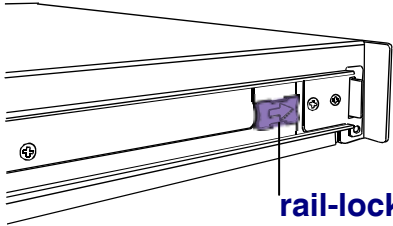
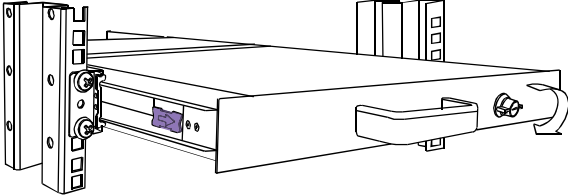


8. Unlock and pull rail-lock switch (left and right at the same time) then push console to the end.

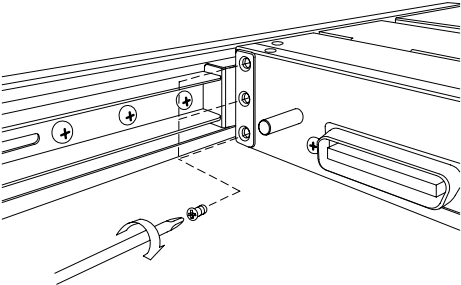


lock

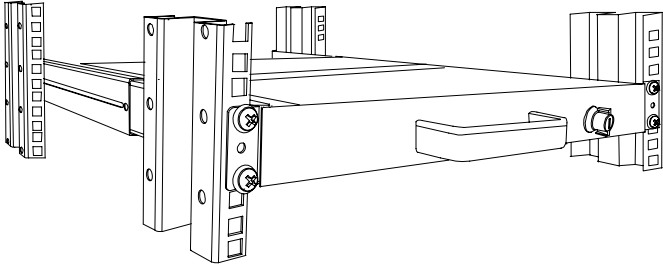
unlock



9. Install three screws (length = 6 mm) in rear of the console. (Both sides)

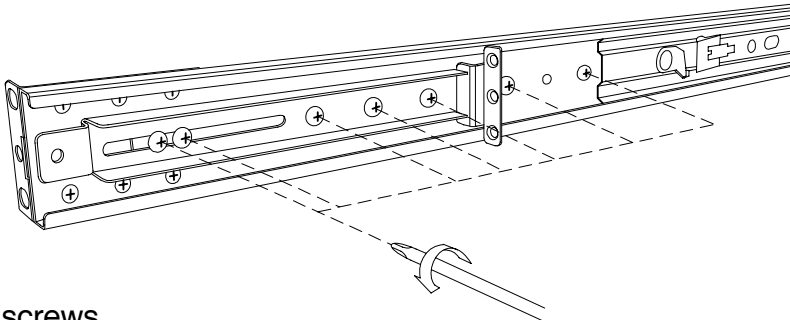


10. Finish installation as below.

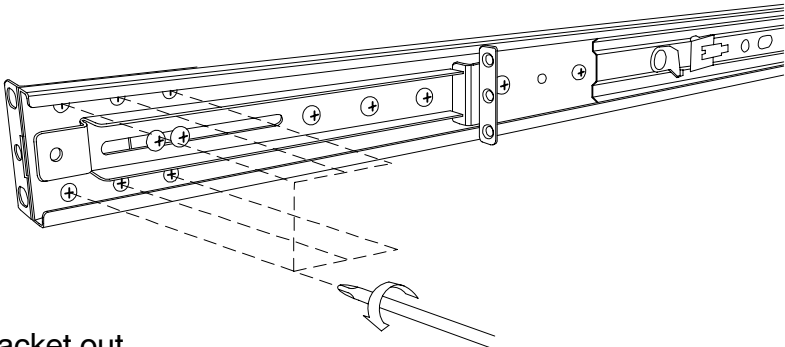


3.1.4 Replace longer and shorter bracket step
Replace bracket A step (For cabinet depth 828 ~ 1000 mm):

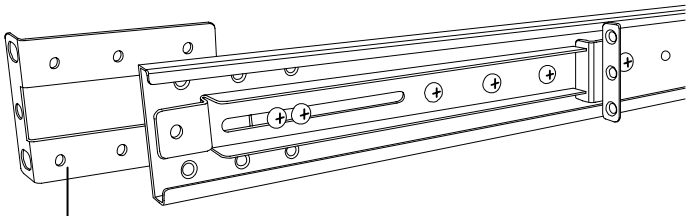
1. Loose (Not remove) seven rear screws.



2. Release six screws.

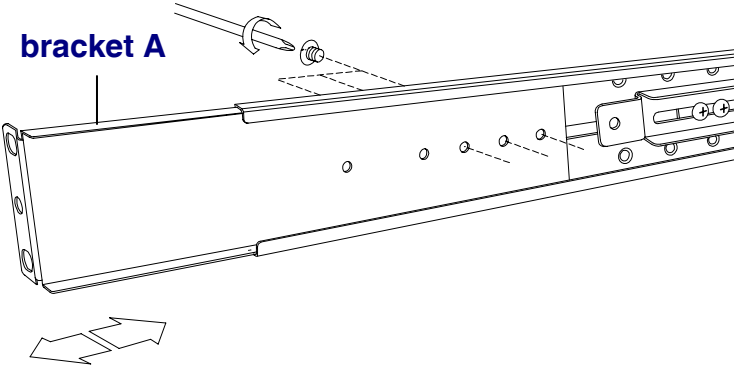


3. Take rear bracket out.



original bracket

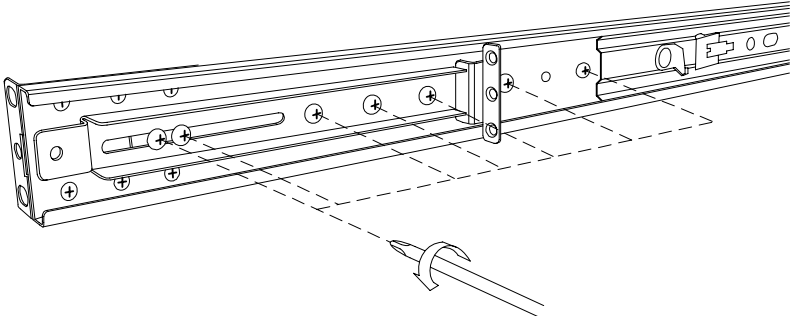
4. Adjust rail and input bracket A to rear of the rail then adjust bracket A to fit your cabinet. Install 2~3 screws (don't tight-up) upon the length you need. One is forbidden.



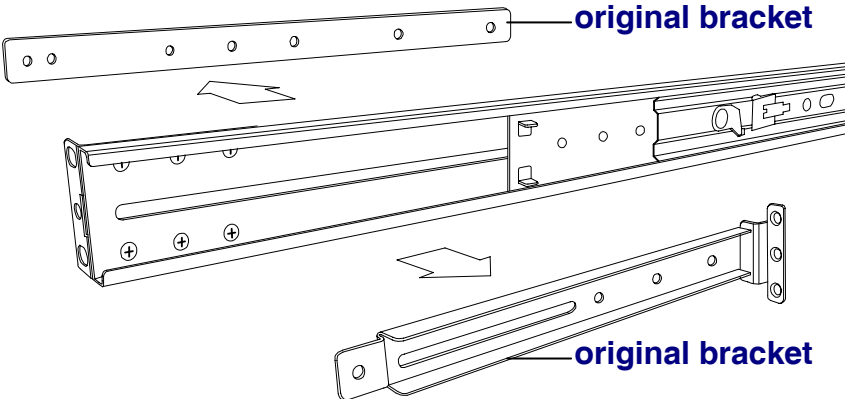
4. Repeat step 1 ~ 4 for the other side.
5. Repeat step 3 ~ 10 of install console to finish installation.

Replace bracket B and C step (For cabinet depth is 504 ~ 614 mm):

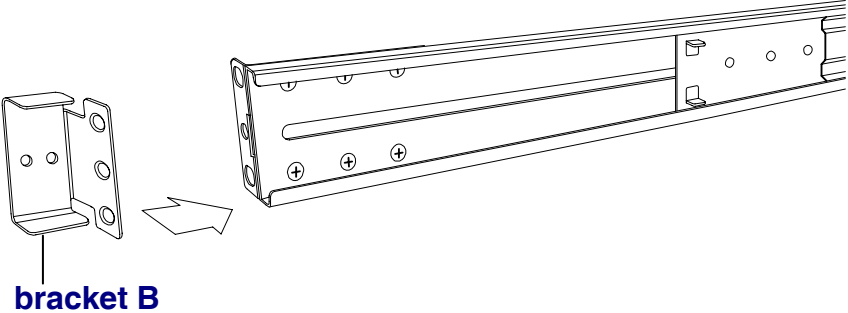
1. Remove seven rear screws.



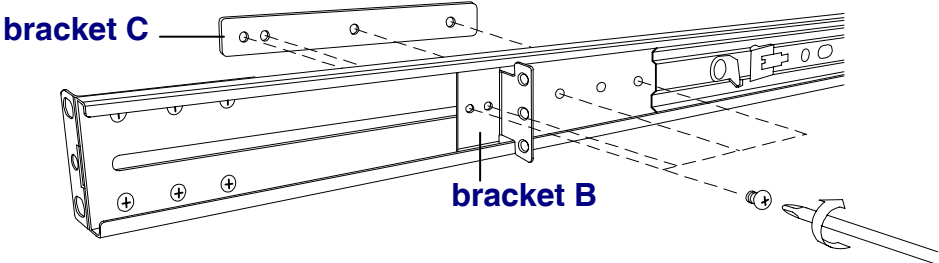
2. Take two original brackets out.



3. Input bracket B to rear of the rail.



4. Install four screws (don't tight-up) to combine rail, bracket B and bracket C.

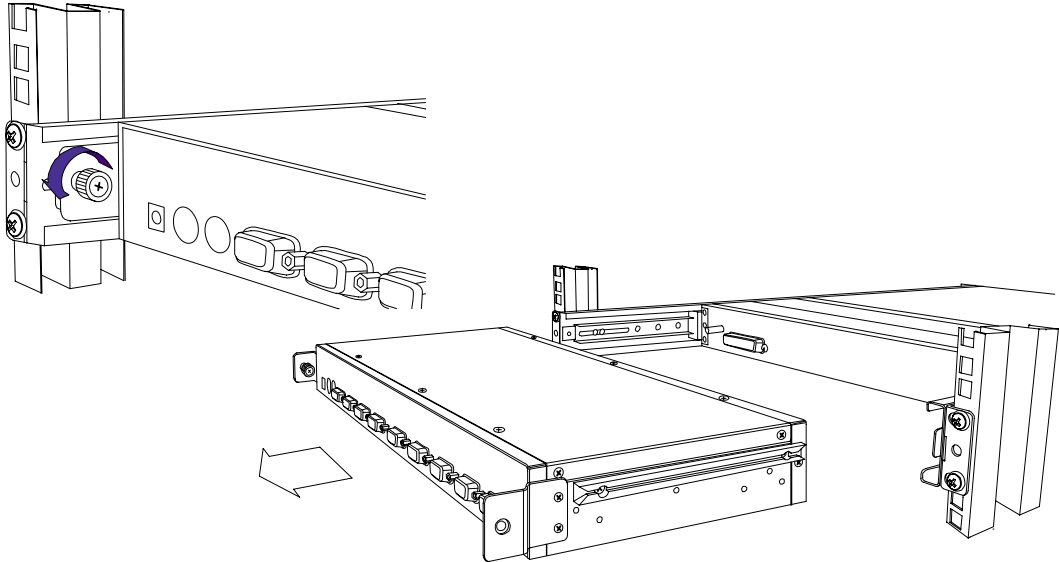


5. Repeat step 1 ~ 4 for the other side.

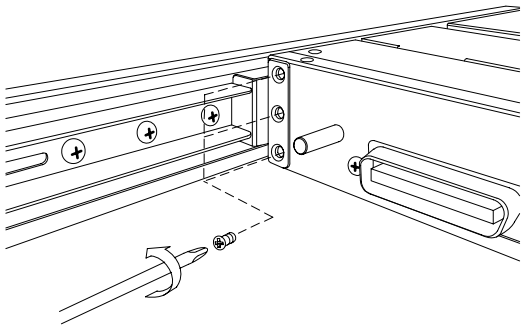
6. Repeat step 3 ~ 10 of install console to finish installation.

3.1.5 Unload Step

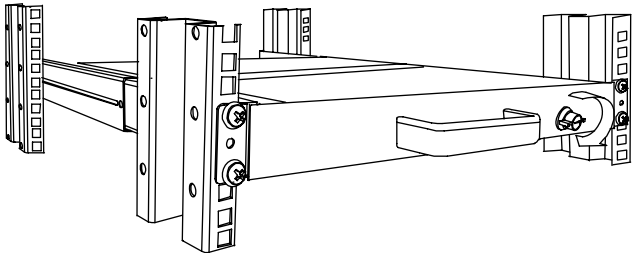
- 1. Make sure the console has locked and turned off.
- 2. Loose two thumb screws and pull modular KVM switch out.



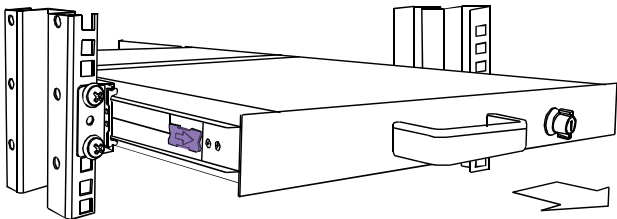
- 2. Release three screws in rear of the console. (Both sides)



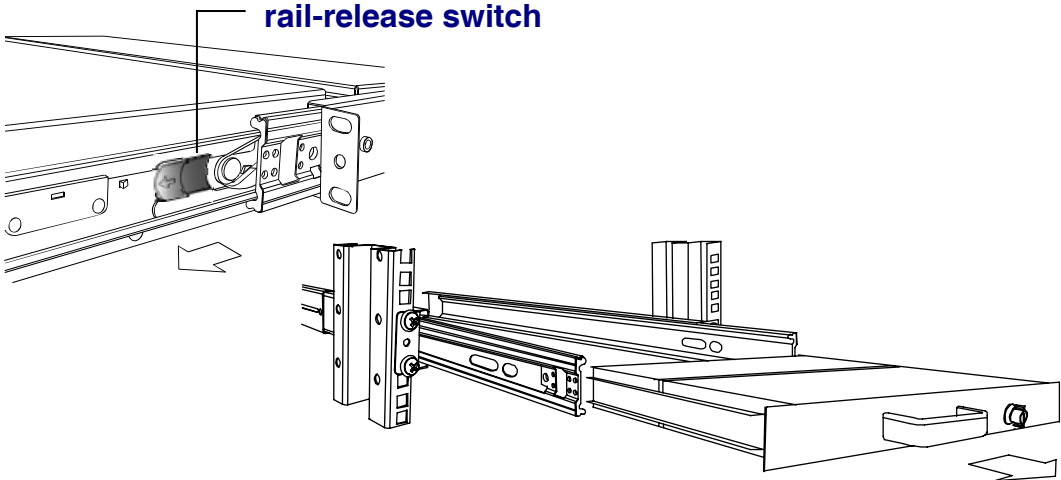
- 3. Unlock.



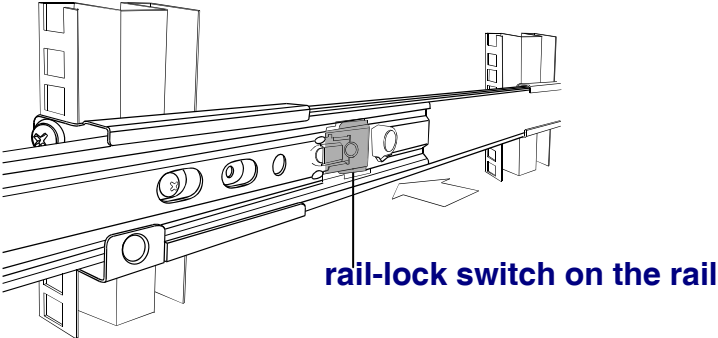
- 4. Pull console out until console lock.



5. Pull rail-release switch and pull console out.(Both sides. Be careful when pull out console.)



5. Push rail-lock switch on the rail and push rail back.(Both sides)



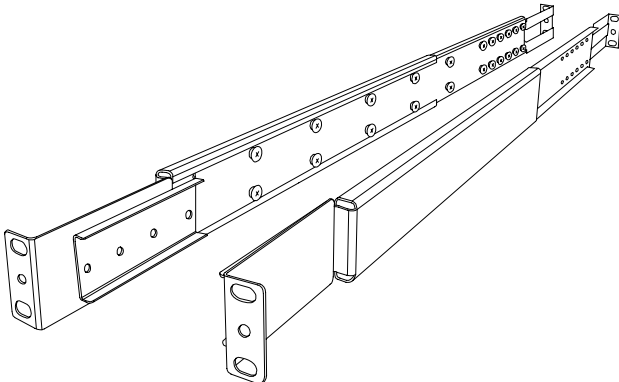
3.2 Install Unicorn 20 into Cabinet

3.2.1 Notes

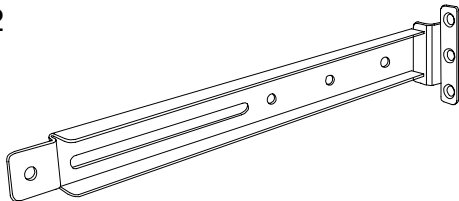
1. Please check all peripherals according the list before installation. To make sure that the whole unit was not damaged and lost during shipping process. If you encounter any problem, please contact your dealer.
2. Before installation, make sure all peripherals and computer have been turned off.
3. Reliable earthing of rack-mounted equipment should be maintained. Particular attention should be given to supply connections other than direct connections to the branch circuit.

3.2.2 Hardware Kits Contents

1. Rail with front and rear bracket x 2.



2. Bracket x 2



3. Screw (length = 6 mm) x 6



4. Screw x 8 (for combine bracket and rail)

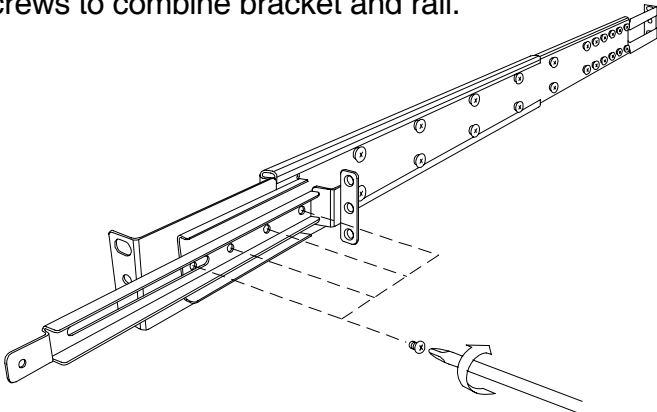


5. Key x 2

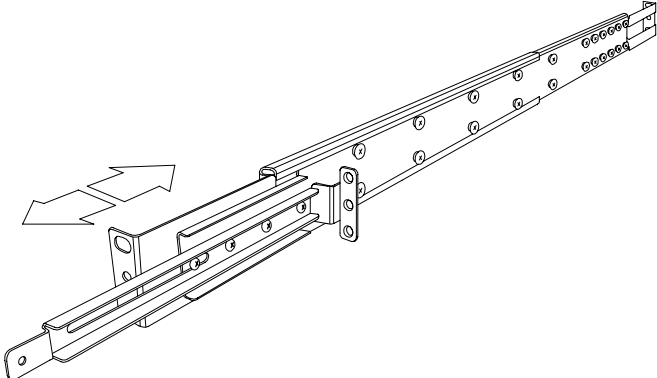


3.2.3 Install Console Step

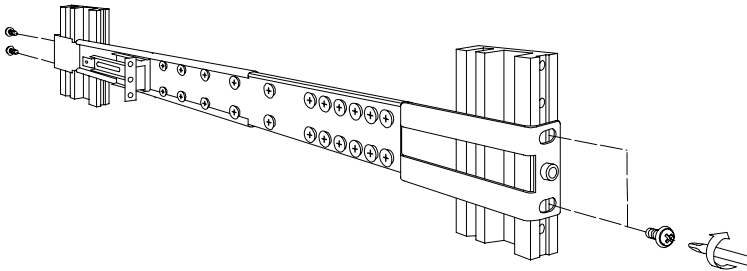
1. Install four screws to combine bracket and rail.



2. Adjust rail with rear bracket to fit your cabinet

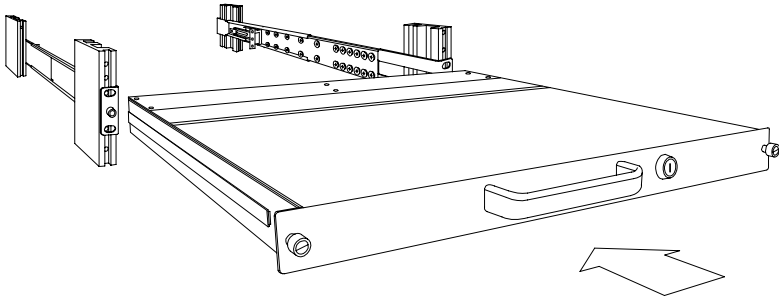


3. Install front and rear bracket on cabinet.

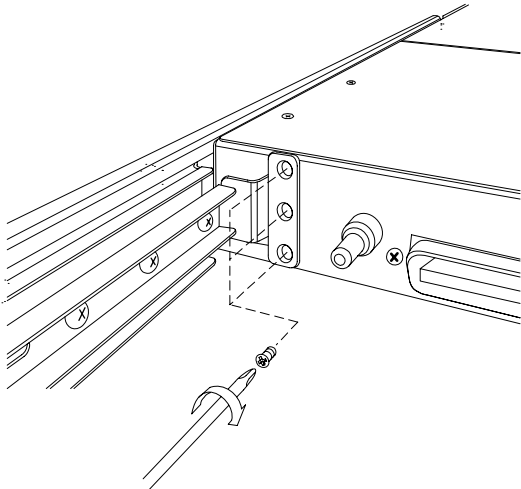


4. Repeat step 1~3 for the other side.

5. Push console into rails and push it to the end.



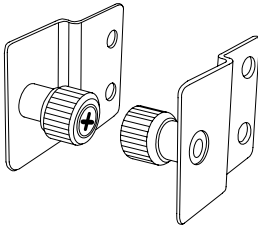
6. Install three screws (length = 6 mm) in rear of the console (Both sides) and finish installation.



3.3 Install Modular KVM Switch Step

3.3.1 Hardware Kits Contents

1. Bracket with thumb screw x 2

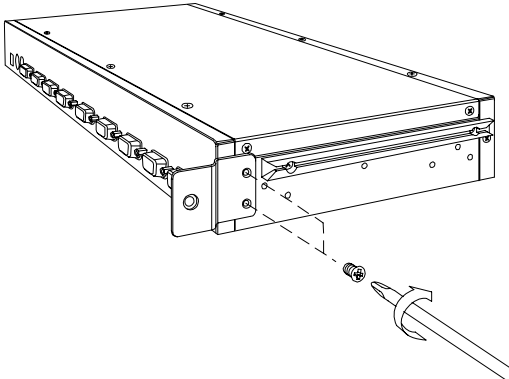


2. Screw (length = 6 mm) x 4



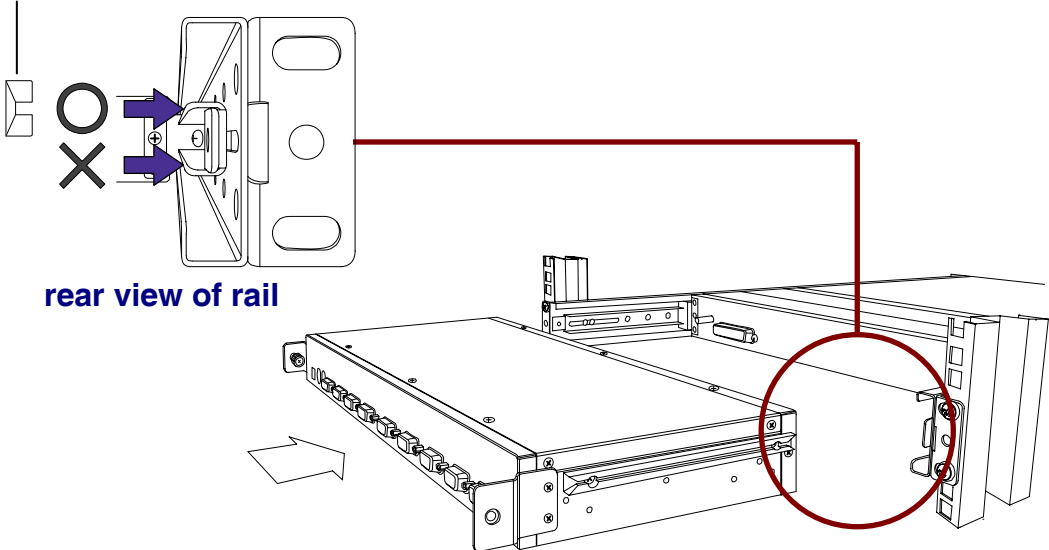
3.3.2 Install Modular KVM Switch Step

- 1. Install two screws (length = 6 mm) to combine bracket and KVM switch. (Both sides)

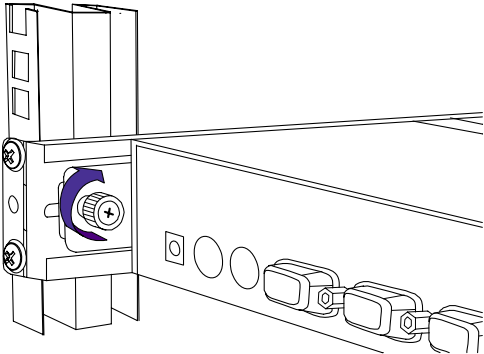


- 2. Push KVM switch into the rails from rear of cabinet.

plastic rail of KVM switch



- 3. Tight thumb screw of bracket up to fix KVM switch in console and finish installation. (Both sides)



3.4 Installing the Video Card and Video Driver

Before connecting the LCD console, make sure your computer has a video card already installed for the monitor. After you connect the console, install the video software driver. The video driver is supplied by the video card manufacturer and may be found on the CD-ROM that came with your computer. If you need information on installing a video card or video driver, refer to the manual that came with your video card.

3.4.1 Configuring the Display Settings

After connecting the console and turning on your computer, you may need to configure one or more of the following display settings:

- Display mode (also called desktop area or video resolution)
- Refresh rate (also called vertical scan rate or vertical sync)
- Color depth (also called color palette or number of colors)

Each video card has several controls that let you adjust the display settings. However, the software and driver for each video card is unique. In most cases, you adjust these settings by using a program or utility provided by the manufacturer of the video card. Most video cards use the Windows Display Properties control panel to configure the display. To open the Windows Display Properties, click the right mouse button in a blank area of the Windows desktop and then select **Properties**. The Settings tab usually lets you change the Color Palette and the Desktop Area (*x by y* pixel resolution).

Some video cards integrate additional features into the Windows Display Properties control panel to give you an exceptional setup that is flexible and easy to use. For example, the control panel may include an Advanced Properties button, an Adjustment tab, or a Refresh tab for changing other settings. Other video cards have a separate utility for setting display properties.

Whenever you change the resolution, color, or refresh rate, the image size, position, or shape may change. This behavior is normal. You can readjust the image using the monitor on-screen controls. For more information on the monitor on-screen controls, refer to Chapter 2. For more information on configuring the display settings, refer to the manual that came with your video card.

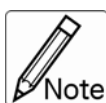
3.4.2 Connecting the Console

To connect an LCD console to a computer, perform the following steps



Figure 3-1. The rear view of LCD console

1. Turn off your computer. You should always turn off your computer before connecting or disconnecting a device.
2. Connect the video (VGA) connector of the KVM cable to the video card connector on the rear panel of your computer.
3. Identify and connect the PS/2 mouse and PS/2 keyboard connector to the correct PS/2 ports on the rear panel of your computer. Or you can use USB interface to connect your computer. (Use PS/2-USB switch to select your interface. The switch has to be on PS/2 side when you use PS/2 interface connector.)



.....
Please don't plug PS/2 and USB cables at the same time
.....

4. Connect the AC to DC power adapter to the power inlet on the console and then to a power outlet.

3.5 Turning on the Console

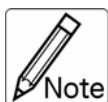
Make sure all cables and the AC to DC power adapter are connected properly. Be sure to tighten all connector screws. Using two hands, grasp the rear of the console, lift the tab and pull the panel up and forward. This will disengage the momentary on / off switch and the unit should power on. The LED on the left or under of the monitor panel should turn from orange to green, verifying that the unit is operational.

3.6 Testing the Console

To test that the console is working properly, perform the following steps:

1. Power up the console, and then turn on your computer.
2. Make sure the video image is centered within the screen area. Use the OSD controls to adjust the image (see note below) or press the Auto button on the right

hand side of the monitor.



.....
If the unit does not power up when the panel is pulled up, try pushing the soft power on/off button on the left or under side of the monitor panel to power up the unit.
.....



.....
You can adjust the horizontal and vertical position, contrast, and brightness to better suit your video card and your personal preference. Refer to Chapter 2 for more information on using the on-screen menu to adjust the video display.
.....

Before you begin, make sure that powers to all the devices you will be connecting up have been turned off. To prevent damage to your installation due to ground potential difference, make sure that all the devices on the installation are properly grounded. Consult your direct vendor for any technical issues if necessary.
.....

Unicorn 15 / 17 / 19 / 20
Console with Modular KVM Switch
User's Manual