



## Single Rail 15 / 17 / 19 / 20.1" console with modular KVM Switch

Unicorn series Single Rail consoles offer industrial level input solution to optimize your space utilization by controlling your systems in just 1U. With the unique modular design, you can easily integrate more than 14 models of KVM switches with different functions and expand the connections up to 8 levels of the KVM switches.

### Features

- Easy to install, single rail design.
- Unicorn 15, Unicorn 17, Unicorn 19 & Unicorn 20 for option
- Support Sun native resolution (Unicorn 17, Unicorn 19 & Unicorn 20)
- Support 17 various keyboard languages (increasing)
- Bright Active TFT display
- OSD function for LCD display and KVM switch
- Durable keyboard (touchpad or cherry keyboard with trackball)
- Panel protected by tempered glass
- Integration with more than 14 models of KVM switches
- DC power, DVI (optional)
- Touch panel and Sun keys (optional)
- With our fully modular IP & CAT5 modules, our customers can create 12 models of KVM Switch from 4 basic models.

### Benefits

1. Cost effective solution : With our unique design and all the options, you can easily suffice the demand for your customer at reasonable cost.
2. Time to serve your customer : With the modular KVM, you can easily turn single port console into 8 / 16 / 32 ports console to serve your customer well.
3. Keep low inventory : From the 4 models of consoles and 6 models of KVM switches, IP Module and CAT5 Module, you can create total 60 models in Unicorn Series. It is the best solution for inventory control.
4. Easy to maintain : Once the defective comes from the KVM switch, you can just swap the KVM switch module without asking your customer to send the whole console back to you.
5. Save freight cost : Since you have to keep only 4 models of consoles and generate new models by yourself, you can ship all the goods by sea instead of by air. In case, you run out of the KVM switch stock, it is much cheaper to ship the KVM switch modules by air.

## Advantage

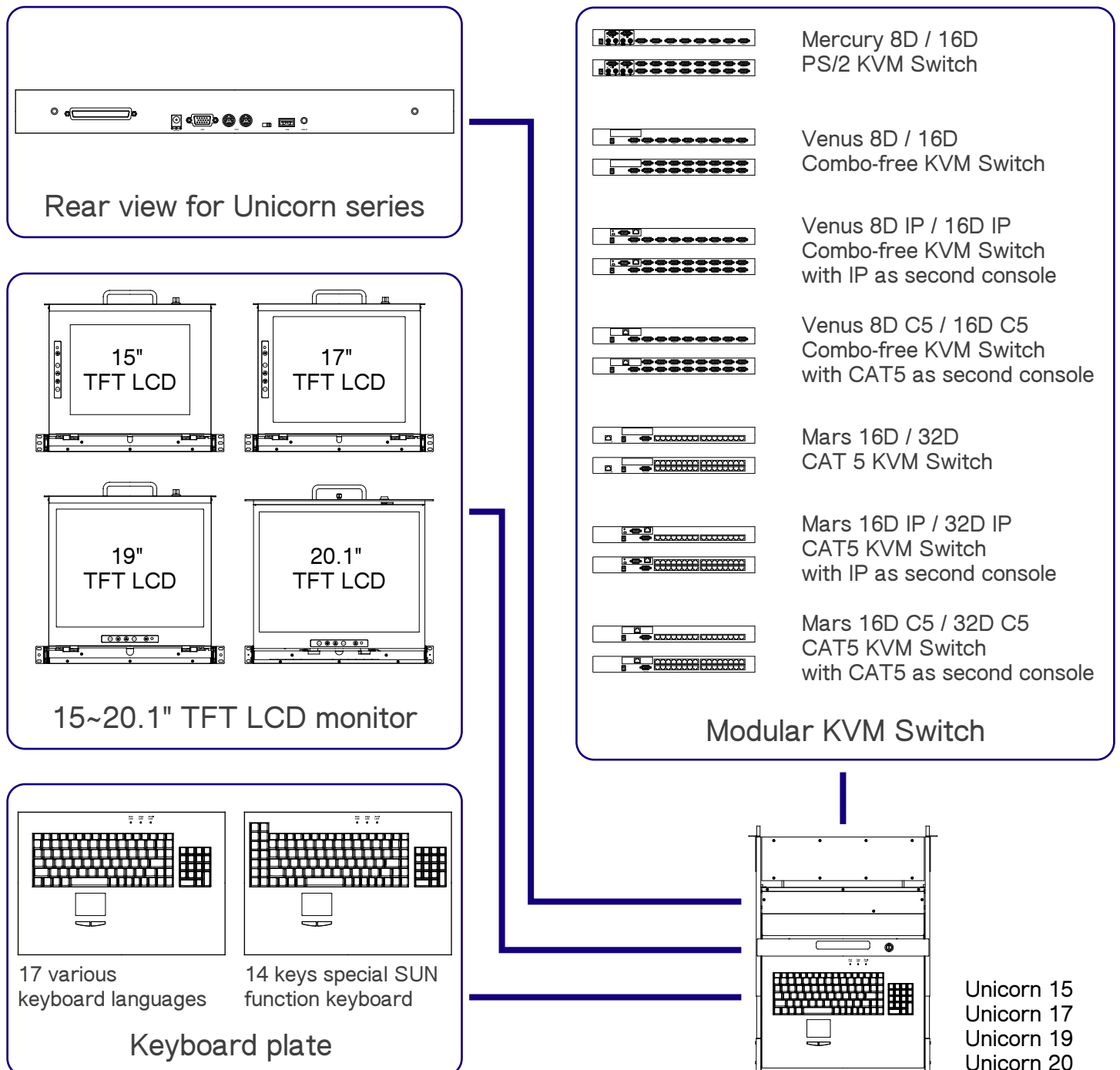
Easy to install : With the unique separate rail design. One man can install the Unicorn console easily. In case you need to maintain the console, you can easily uninstall without effecting the server above or below.

Modular KVM switches : The user can use Unicorn series console as single port console or through some simple action and few screws to be 8/16 even 32 ports KVM consoles.

Various keyboard language support: to fit the demand of each individual countries.

Most LCD size available in the market: We offer 15 / 17 / 19 / 20.1" LCD for Unicorn series console.

## Diagram



## Console Specifications

Model Name	Unicorn 15	Unicorn 17	Unicorn 19	Unicorn 20
Display Size	15 inches	17 inches	19 inches	20.1 inches
Panel Type	Active Matrix TFT LCD	Active Matrix TFT LCD	Active Matrix TFT LCD	Active Matrix TFT LCD
Resolution Capabilities	max. 1024 x 768 (XGA)	max. 1280 x 1024 (SXGA)	max. 1280 x 1024 (SXGA)	max. 1600 x 1200 (UXGA)
Pixel Pitch	0.297 mm x 0.297 mm	0.264 mm x 0.264 mm	0.098 mm x 0.294 mm	0.255 mm x 0.255 mm
Viewing Angle (CR>10)	Right-Left view 130°(Typ) Up-Down View 100°(Typ)	Right-Left view 60~70°(Typ) Up-Down View 45~60°(Typ)	Right-Left view 140°(Typ) Up-Down View 140°(Typ)	Right-Left view 85°(Typ) Up-Down View 85°(Typ)
Contrast Ratio	400 : 1	450 : 1	500 : 1	1000 : 1
Brightness	250 cd/m <sup>2</sup>	250 cd/m <sup>2</sup>	250 cd/m <sup>2</sup>	300 cd/m <sup>2</sup>
Back Light	Dual Lamps	Four Lamps	Four Lamps	Six Lamps
Supported Colors	16.7M Colors (8-bit with FRC)	16.7M Colors (8-bit with FRC)	16.7M Colors (8-bit with FRC)	16.7M Colors (8-bit with FRC)
Response Time	Rising Time 5 ms Decay Time 11 ms	Rising Time 2 ms Decay Time 14 ms	Rising Time 2 ms Decay Time 10 ms	Rising Time 15 ms Decay Time 7 ms
Power Consumption	16 W, 10.41 W for Panel	25 W, 19.05 W for Panel	25 W, 21.05 W for Panel	50 W, 45 W for Panel
Power Source	100 ~ 240 VAC input			
Sync	45 ~ 80 KHz			
PC Ports	1			
Keyboard Mouse	106 key PS/2 keyboard with touch pad			
Multi Platform	Support PS/2 and USB			
System Cables	VGA + PS/2 x 2 cable or VGA + USB x 1 cable			
Temperature	Operate 0 ~ 50°C / 32 ~ 122°F, Storage -20 ~ 60°C / -4 ~ 140°F			
Humidity	10% ~ 90% RH			
Chassis Construction	Heavy duty steel materials			
Operating System	Dos, Windows (3.1, 9x, 2000, NT4, ME, XP, 2003 Server) Linux, Novell 3.12-6, HP UX, SUN			
Keyboard Language	US, UK, German, French, Spanish, Italian, Portuguese, Dutch, Swiss, Belgium, Swedish, Norwegian, Danish, Japanese, Mandarin, Russian, Hebrew			
Certification	CE / FCC, UL / CUL / C-Tick, GOST			

## KVM Switch Specifications

Model Name	Mercury 8D / 16D	Venus 8D / 16D	Venus 8D IP / 16D IP	Venus 8D C5 / 16D C5
KVM Switch Type	PS/2 KVM Switch	Combo-free KVM Switch	Combo-free KVM Switch with IP as second console	Combo-free KVM Switch with CAT5 as second console
PC Port Connector (All Female Types)	D-Sub 15	D-Sub 15	D-Sub 15	D-Sub 15
PC Ports	8 / 16	8 / 16	8 / 16	8 / 16
Max. Distance (KVM switch -- Host)	48 feet (15 m)	48 feet (15 m)	48 feet (15 m)	48 feet (15 m)
Video Resolution (Local Console)	1920 x 1440	1920 x 1440	1920 x 1440	1920 x 1440
Video Resolution (Remote Console)			1280 x 1024	1600 x 1200 for 500 feet 1024 x 768 for 1000 feet
Console Ports	1 (One Local)	1 (One Local)	1 (One Local) 1 IP-based Remote Console	1 (One Local) 1 Cat 5-based Remote Console
Remote Console			RJ-45 8P8C for 10/100M Ethernet remote IP console	RJ-45 Connector, CAT5 console up to 1000 feet away from KVM switch with superior auto-adjust RGB gain/delay control capability
Daisy Chain Port	Support Daisy Chain function with 8-layer Bus topologies. Connector PS/2 Keyboard / Mouse mini Din 15 pin and VGA D-Sub 15 pin	Support Daisy Chain function with 8-layer Bus topologies. Connector DB15 (Female Type)	Support Daisy Chain function with 8-layer Bus topologies. Connector DB15 (Female Type)	Support Daisy Chain function with 8-layer Bus topologies. Connector DB-15 (Female Type)
Keyboard / Mouse	PS/2	PS/2 or USB	PS/2, USB	PS/2, USB
Power	DC Power adapter: 12V, 1A	DC Power adapter: 12V, 1A	DC Power adapter : 12V, 2.5A	DC Power adapter : 12V, 2.5A
PC Selection	On Screen Display (OSD) Menu, Hot Key, Push Button			
Security	Provide ACL (Access Control List) security function, store up to 8 independent controllable PC lists			
Multilingual OSD (On Screen Display) Control	8 languages (English, France, German, Spanish, Italian, Russian, Japanese, Chinese)			
Auto-Scan Intervals	5 ~ 99 Sec.			
Max. PC Connection	120 / 128			
Operation Temperature	0 ~ 50°C			
Storage Temperature	-20 ~ 60°C			
Humidity	0 ~ 80 %, Non-Condensing			
Dimension	420 x 170 x 41.4 mm / 16.5 x 6.7 x 1.6 inches			

## KVM Switch Specifications

Model Name	Mars 16D / 32D	Mars 16D IP / 32D IP	Mars 16D C5 / 32D C5
KVM Switch	CAT 5 KVM Switch	Cat 5 KVM Switch with IP as second console	Cat 5 KVM Switch with CAT5 as second console
PC Port Connector (All Female Types)	RJ-45	RJ-45	RJ-45
PC Ports	16 / 32	16 / 32	16 / 32
Max. Distance (KVM switch -- Host)	133 feet (40 m)	133 feet (40 m)	133 feet (40 m)
Video Resolution (Local Console)	1920 x 1440	1920 x 1440	1920 x 1440
Video Resolution (Remote Console)		1280 x 1024	1600 x 1200 for 500 feet , 1024 x 768 for 1000 feet
Console Ports	1 (One Local) 2 (option for IP or CAT5)	1 (One Local) 1 IP-Based Remote Console	1 (One Local) 1 CAT5-Based Remote Console
Daisy Chain Port	Support Daisy Chaining with both Bus (8-layer) and Tree (2-layer) topologies. Connector DB15 (Female Type)	Support Daisy Chaining with both Bus (8-layer) and Tree (2-layer) topologies. Connector DB15 (Female Type)	Support Daisy Chaining with both Bus (8-layer) and Tree (2-layer) topologies. Connector DB15 (Female Type)
Remote Console	Option for IP or CAT5	RJ-45 8P8C for 10/100M Ethernet remote IP console	RJ-45 Connector CAT5 console up to 1000 feet away from KVM switch with superior auto-adjust RGB gain/delay control capability
Max. PC Connection	144 / 160		
CAT5 Combo Dongle	3-to-1 CAT5 combo transmitter dongle. Combine three cables (keyboard, mouse and VGA) into one CAT5 cable before connecting to KVM switch. Support PS/2 and USB cable in the same dongle.		
Keyboard / Mouse	PS/2 or USB		
Power	DC Power adapter : 12V, 2.5A		
PC selection	On Screen Display (OSD) Menu, Hot Key, Push Button		
Security	Provide ACL (Access Control List) security function, store up to 8 independent controllable PC lists		
Multilingual OSD (On Screen Display) control	8 languages (English, France, German, Spanish, Italian, Russian, Japanese, Chinese)		
Auto-Scan Intervals	5 ~ 99 Sec.		
Operation Temperature	0 ~ 50°C		
Storage Temperature	-20 ~ 60°C		
Humidity	0 ~ 80 %, Non-Condensing		
Dimension	420 x 170 x 41.4 mm / 16.5 x 6.7 x 1.6 inches		

## Dimension

Model Name	Unicorn 15	Unicorn 17	Unicorn 19	Unicorn 20
Depth of Console without modular KVM Switch	470 mm	470 mm	520 mm	663
Adaptable Cabinet depth	504 ~ 1000 mm	504 ~ 1000 mm	554 ~ 1000 mm	704 ~ 1100
Depth of Console with modular KVM Switch	648 mm	648 mm	698 mm	841
Adaptable Cabinet depth	614 ~ 1000 mm	614 ~ 1000 mm	664 ~ 1000 mm	882 ~ 1100

## Option

Color (Black / Beige / OEM color)
Cherry keyboard with trackball (PS/2 only)
Touch screen (USB or RS232)
DC power
Additional SUN function key
Signal cable 1.8m / 3.0m / 5.0m
Audio function
DVI interface